

two-piece, »FUTURA« series

Two-piece service units with excellent flow rates in modern design.

Lockable diaphragm pressure regulator with secondary ventilation, oil can be filled without interrupting operation.

Input pressure	1.5 - 16 bar
Temperature range	-10 °C to 50 °C
Medium	Compressed air, neutral gases
Housing	PA66 GF60
Connecting thread	Material: Die-cast zinc
Filter element	Cellpor (PE)
Filter rating	5 µm
Sight dome	PC
Sealant	NBR
Diaphragms	NBR
Flow rate measurement	At $P_1 = 10$ bar, $P_2 = 6.3$ bar and pressure drop $\Delta p = 1$ bar

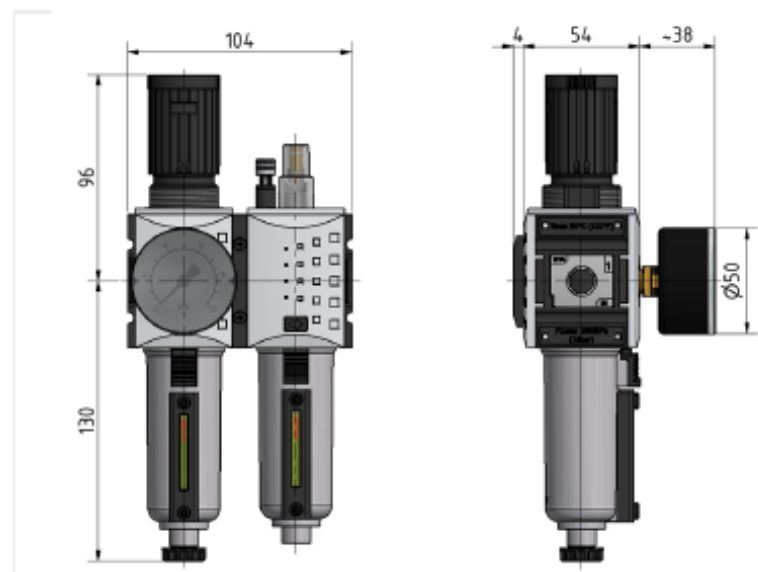
### Service unit, 2-piece with metal bowl, sight glass and pressure gauge

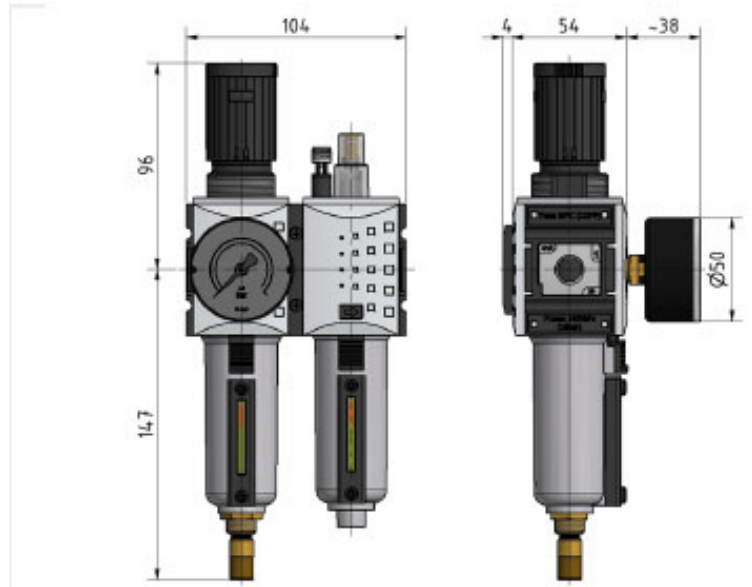
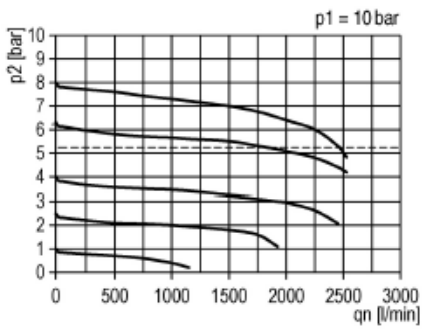
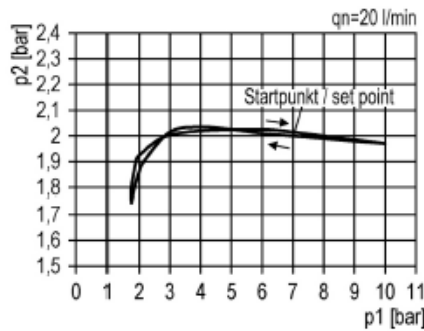
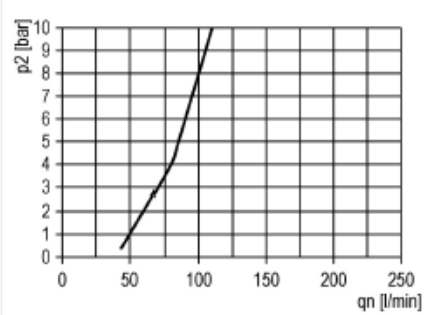
Art. No.	Type No.	Thread	Size	Control range bar	Pressure gauge display bar	Flow rate l/min	Condensate drain
152394	FU 601-M-1	G 1/4	1	0.1 - 1	0 - 1.6	1750	Semi-automatic
152395	FU 601-M-2	G 1/4	1	0.1 - 2	0 - 2.5	1750	Semi-automatic
152396	FU 601-M-4	G 1/4	1	0.2 - 4	0 - 6	1750	Semi-automatic
152397	FU 601-M	G 1/4	1	0.5 - 8	0 - 10	1750	Semi-automatic
152398	FU 601-M-10	G 1/4	1	0.5 - 10	0 - 16	1750	Semi-automatic
152399	FU 601-M-16	G 1/4	1	0.5 - 16	0 - 25	1750	Semi-automatic
152400	FU 602-M-1	G 3/8	1	0.1 - 1	0 - 1.6	1750	Semi-automatic
152401	FU 602-M-2	G 3/8	1	0.1 - 2	0 - 2.5	1750	Semi-automatic
152402	FU 602-M-4	G 3/8	1	0.2 - 4	0 - 6	1750	Semi-automatic
152403	FU 602-M	G 3/8	1	0.5 - 8	0 - 10	1750	Semi-automatic
152404	FU 602-M-10	G 3/8	1	0.5 - 10	0 - 16	1750	Semi-automatic
152405	FU 602-M-16	G 3/8	1	0.5 - 16	0 - 25	1750	Semi-automatic
152418	FU 611-M-1	G 1/4	1	0.1 - 1	0 - 1.6	1750	Fully-automatic
152419	FU 611-M-2	G 1/4	1	0.1 - 2	0 - 2.5	1750	Fully-automatic
152420	FU 611-M-4	G 1/4	1	0.2 - 4	0 - 6	1750	Fully-automatic
152421	FU 611-M	G 1/4	1	0.5 - 8	0 - 10	1750	Fully-automatic
152422	FU 611-M-10	G 1/4	1	0.5 - 10	0 - 16	1750	Fully-automatic
152423	FU 611-M-16	G 1/4	1	0.5 - 16	0 - 25	1750	Fully-automatic
152424	FU 612-M-1	G 3/8	1	0.1 - 1	0 - 1.6	1750	Fully-automatic
152425	FU 612-M-2	G 3/8	1	0.1 - 2	0 - 2.5	1750	Fully-automatic
152426	FU 612-M-4	G 3/8	1	0.2 - 4	0 - 6	1750	Fully-automatic
152427	FU 612-M	G 3/8	1	0.5 - 8	0 - 10	1750	Fully-automatic
152428	FU 612-M-10	G 3/8	1	0.5 - 10	0 - 16	1750	Fully-automatic
152429	FU 612-M-16	G 3/8	1	0.5 - 16	0 - 25	1750	Fully-automatic

**Accessories / spare parts**

Art. No.	Type No.	Description
100038	H 850	Mounting bracket, incl. 2 screws
100039	WK 100	Wall bracket, incl. 2 screws
100040	KP 100	Joiner set, incl. 2 screws
100130	BSF 14	Polycarbonate bowl, incl. bowl guard
100212	BSL 14	Polycarbonate bowl, incl. bowl guard for oiler
100131	MF 14	Metal bowl, incl. sight glass
100213	ML 14	Metal bowl, incl. sight glass for oiler
100132	BSF 14-A	Polycarbonate bowl with automatic drain valve
100133	MF 14-A	Metal bowl, incl. sight glass, with automatic drain valve
100041	FU 11-55	Panel nut M36x1.5
100037	SS 32	Key lock
135851	WK 101-14	Wall bracket with connection thread G 1/4
135852	WK 101-38	Wall bracket with connection thread G 3/8
152945	H 851	Mounting bracket with control panel nut M36x1.5
100134	611.6.905	Filter element 5 µm, cellpor
100214	901.7.990	Sight dome, polycarbonate
100042	22.7010.4	Seal kit for pressure regulator
100362	655.6.900	Automatic drain valve

**Semi-automatic:**



**Fully-automatic:**

**flow characteristic**

**pressure characteristic**

**lubricator operating limit**

**symbol**
